

# W12i+

## ICE & WATER

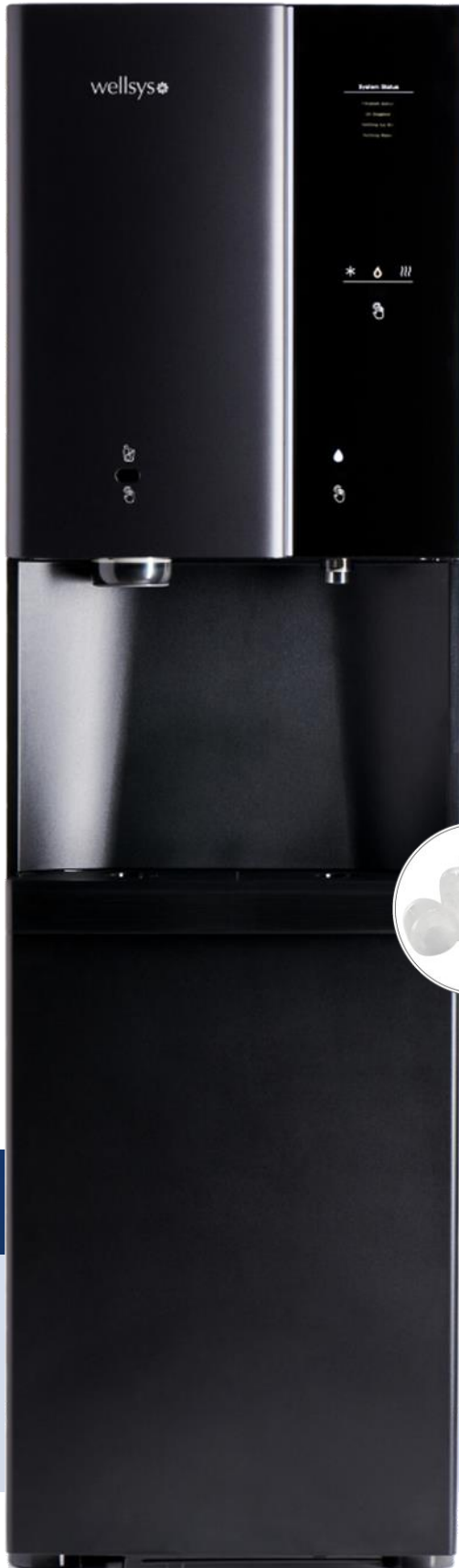
SIMPLE WATER SYSTEMS

(509) 720-8543

sales@simplewaternw.com

www.simplewaternw.com

Bottle-free Water  
Service Made Simple



SafeTouch™ protection for antimicrobial touch surface



Multi-stage filtration + in-tank UV provides clean, fresh water



Built-in automatic continuous leak detection monitoring system



"Bullet" style clean, pure ice on-demand with high daily capacity production



Hands-free, contactless dispensing built-in



*"bullet" style ice*

## FILTRATION



### Sediment

Reduces particles such as dirt, silt, rust, and pipe residue.



### Pre-Carbon

Reduces chlorine, chemicals, and pesticides.



### RO

Reduces chlorine, chemicals, and pesticides.



### pH Boost / Health

Adds minerals, electrolytes, and enhances alkalinity.



### Post-Carbon

Final polishing filter ensures great taste.

Certified by IAPMO in accordance with ANSI/NSF 372 for lead free products and certified by IAPMO R&T in accordance with UL 399 and CSA 22.2 for electrical safety.

# W12i+

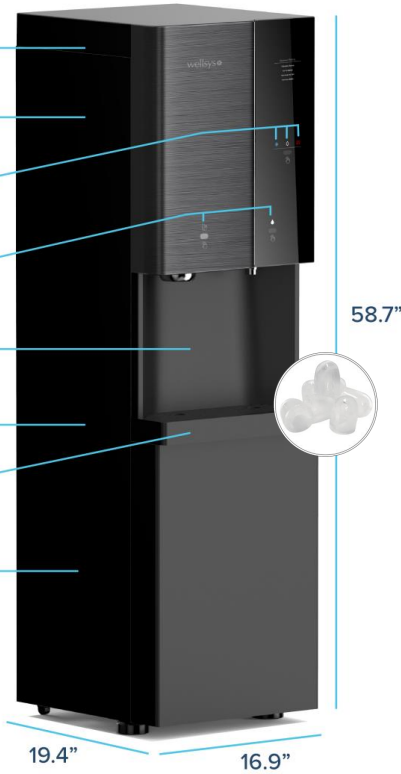
## ICE & WATER

SIMPLE WATER SYSTEMS  
(509) 720-8543  
sales@simplewaternw.com  
www.simplewaternw.com

Bottle-free Water  
Service Made Simple



- Dual LED UV-C light
- Closed system (added air filter and sealed reservoir)
- Hot, cold, and ambient water and bullet ice
- Touch-less operation
- Increased dispense height (from 8" to 10")
- New glass front
- Removable large drip tray for easy cleaning
- State-of-the-art reverse osmosis purification



DESCRIPTION	SPECIFICATION
Dimensions	16.9" w x 58.7" h x 19.4" d
Cold Tank Capacity	1.2 gallons
Hot Tank Capacity	1.2 gallons
Ambient Tank Capacity	4.5 gallons
Sparkling Water	n/a (only available on the ION 400)
Ice Production	44-lbs per day
Ice Storage	8.8-lbs storage
UV Sanitization	In-tank LED UV-C
Dispense Height	10"
Configuration	Freestanding only
Manufacture	Wellsys

## MORE BOTTLE-FREE OPTIONS

